

Hex Schmitt-Trigger Inverter with LSTTL Compatible Inputs

High-Performance Silicon-Gate CMOS

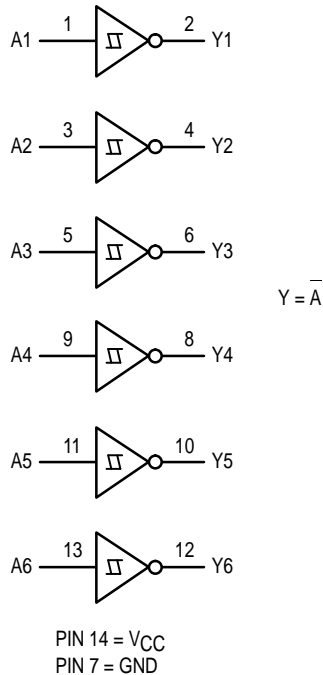
The MC54/74HCT14A may be used as a level converter for interfacing TTL or NMOS outputs to high-speed CMOS inputs.

The HCT14A is identical in pinout to the LS14.

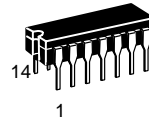
The HCT14A is useful to “square up” slow input rise and fall times. Due to the hysteresis voltage of the Schmitt trigger, the HCT14A finds applications in noisy environments.

- Output Drive Capability: 10 LSTTL Loads
- TTL/NMOS-Compatible Input Levels
- Outputs Directly Interface to CMOS, NMOS and TTL
- Operating Voltage Range: 4.5 to 5.5 V
- Low Input Current: 1.0 μ A
- In Compliance with the Requirements Defined by JEDEC Standard No. 7A
- Chip Complexity: 72 FETs or 18 Equivalent Gates

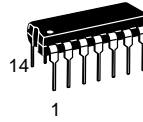
LOGIC DIAGRAM



MC54/74HCT14A



J SUFFIX
CERAMIC PACKAGE
CASE 632-08



N SUFFIX
PLASTIC PACKAGE
CASE 646-06



D SUFFIX
SOIC PACKAGE
CASE 751A-03

ORDERING INFORMATION

| | |
|-------------|---------|
| MC54HCTXXAJ | Ceramic |
| MC74HCTXXAN | Plastic |
| MC74HCTXXAD | SOIC |

PIN ASSIGNMENT

| | | | |
|-----|---|----|----------|
| A1 | 1 | 14 | V_{CC} |
| Y1 | 2 | 13 | A6 |
| A2 | 3 | 12 | Y6 |
| Y2 | 4 | 11 | A5 |
| A3 | 5 | 10 | Y5 |
| Y3 | 6 | 9 | A4 |
| GND | 7 | 8 | Y4 |

FUNCTION TABLE

| Input A | Output Y |
|---------|----------|
| L | H |
| H | L |



MC54/74HCT14A

MAXIMUM RATINGS*

| Symbol | Parameter | Value | Unit |
|-----------|---|-------------------------|----------|
| V_{CC} | DC Supply Voltage (Referenced to GND) | - 0.5 to + 7.0 | V |
| V_{in} | DC Input Voltage (Referenced to GND) | - 1.5 to $V_{CC} + 1.5$ | V |
| V_{out} | DC Output Voltage (Referenced to GND) | - 0.5 to $V_{CC} + 0.5$ | V |
| I_{in} | DC Input Current, per Pin | ± 20 | mA |
| I_{out} | DC Output Current, per Pin | ± 25 | mA |
| I_{CC} | DC Supply Current, V_{CC} and GND Pins | ± 50 | mA |
| P_D | Power Dissipation in Still Air, Plastic or Ceramic DIP† SOIC Package† | 750 500 | mW |
| T_{stg} | Storage Temperature | - 65 to + 150 | °C |
| T_L | Lead Temperature, 1 mm from Case for 10 Seconds (Plastic DIP or SOIC Package) (Ceramic DIP) | 260 300 | °C °C |

This device contains protection circuitry to guard against damage due to high static voltages or electric fields. However, precautions must be taken to avoid applications of any voltage higher than maximum rated voltages to this high-impedance circuit. For proper operation, V_{in} and V_{out} should be constrained to the range $GND \leq (V_{in} \text{ or } V_{out}) \leq V_{CC}$. Unused inputs must always be tied to an appropriate logic voltage level (e.g., either GND or V_{CC}). Unused outputs must be left open.

* Maximum Ratings are those values beyond which damage to the device may occur.

Functional operation should be restricted to the Recommended Operating Conditions

† Derating — Plastic DIP: - 10 mW/°C from 65° to 125°C
Ceramic DIP: - 10 mW/°C from 100° to 125°C
SOIC Package: - 7 mW/°C from 65° to 125°C

For high frequency or heavy load considerations, see Chapter 2 of the Motorola High-Speed CMOS Data Book (DL129/D).

RECOMMENDED OPERATING CONDITIONS

| Symbol | Parameter | Min | Max | Unit |
|-------------------|--|------|----------|------|
| V_{CC} | DC Supply Voltage (Referenced to GND) | 4.5 | 5.5 | V |
| V_{in}, V_{out} | DC Input Voltage, Output Voltage (Referenced to GND) | 0 | V_{CC} | V |
| T_A | Operating Temperature, All Package Types | - 55 | + 125 | °C |
| t_r, t_f | Input Rise and Fall Time (Figure 1) | — | * | ns |

* No Limit when $V_{in} \approx 50\% V_{CC}$, $I_{CC} > 1$ mA.

DC ELECTRICAL CHARACTERISTICS (Voltages Referenced to GND)

| Symbol | Parameter | Test Conditions | V_{CC} Volts | Temperature Limit | | | | | | Unit |
|--------------|--|--|-------------------|-------------------|------------|------------|------------|------------|------------|------|
| | | | | - 55 to 25°C | | ≤ 85°C | | ≤ 125°C | | |
| | | | | Min | Max | Min | Max | Min | Max | |
| V_{T+} max | Maximum Positive-Going Input Threshold Voltage | $V_{out} = 0.1$ V or $V_{CC} - 0.1$ V $ I_{out} \leq 20$ μ A | 4.5 5.5 | | 1.9 2.1 | | 1.9 2.1 | | 1.9 2.1 | V |
| V_{T+} min | Minimum Positive-Going Input Threshold Voltage | $V_{out} = 0.1$ V or $V_{CC} - 0.1$ V $ I_{out} \leq 20$ μ A | 4.5 5.5 | 1.2 1.4 | | 1.2 1.4 | | 1.2 1.4 | | V |
| V_{T-} max | Maximum Positive-Going Input Threshold Voltage | $V_{out} = 0.1$ V or $V_{CC} - 0.1$ V $ I_{out} \leq 20$ μ A | 4.5 5.5 | | 1.2 1.4 | | 1.2 1.4 | | 1.2 1.4 | |
| V_{T-} min | Minimum Positive-Going Input Threshold Voltage | $V_{out} = 0.1$ V or $V_{CC} - 0.1$ V $ I_{out} \leq 20$ μ A | 4.5 5.5 | 0.5 0.6 | | 0.5 0.6 | | 0.5 0.6 | | |
| V_H max | Maximum Hysteresis Voltage | $V_{out} = 0.1$ V or $V_{CC} - 0.1$ V $ I_{out} \leq 20$ μ A | 4.5 5.5 | | 1.4 1.5 | | 1.4 1.5 | | 1.4 1.5 | |
| V_H min | Minimum Hysteresis Voltage | $V_{out} = 0.1$ V or $V_{CC} - 0.1$ V $ I_{out} \leq 20$ μ A | 4.5 5.5 | 0.4 0.4 | | 0.4 0.4 | | 0.4 0.4 | | |
| V_{OH} | Minimum High-Level Output Voltage | $V_{in} < V_{T-}$ min $ I_{out} \leq 20$ μ A | 4.5 5.5 | 4.4 5.4 | | 4.4 5.4 | | 4.4 5.4 | | V |
| | | $V_{in} < V_{T-}$ min $ I_{out} \leq 4.0$ mA | 4.5 | 3.98 | | 3.84 | | 3.7 | | |

NOTE: Information on typical parametric values can be found in Chapter 2 of the Motorola High-Speed CMOS Data Book (DL129/D).

(continued)

DC CHARACTERISTICS (Voltages Referenced to GND) – continued

| Symbol | Parameter | Test Conditions | VCC Volts | Temperature Limit | | | | | | Unit |
|--------|--|---|--------------|-------------------|------------|--------|---------------|---------|------------|------|
| | | | | - 55 to 25°C | | ≤ 85°C | | ≤ 125°C | | |
| | | | | Min | Max | Min | Max | Min | Max | |
| VOL | Maximum Low-Level Output Voltage | $V_{in} < V_{T-min}$ $ I_{out} \leq 20 \mu A$ | 4.5 5.5 | | 0.1 0.1 | | 0.1 0.1 | | 0.1 0.1 | V |
| | | $V_{in} < V_{T-min}$ $ I_{out} \leq 4.0 \text{ mA}$ | 4.5 | | 0.26 | | 0.33 | | 0.4 | |
| Iin | Maximum Input Leakage Current | $V_{in} = V_{CC}$ or GND | 5.5 | | ± 0.1 | | ± 1.0 | | ± 1.0 | μA |
| ICC | Maximum Quiescent Supply Current (per package) | $V_{in} = V_{CC}$ or GND $I_{out} = 0 \mu A$ | 5.5 | | 1.0 | | 10 | | 40 | μA |
| ΔICC | Additional Quiescent Supply Current | $V_{in} = 2.4 \text{ V}$, Any One Input $V_{in} = V_{CC}$ or GND, Other Inputs $I_{out} = 0 \mu A$ | 5.5 | | ≥ - 55°C | | 25°C to 125°C | | | mA |
| | | | | | 2.9 | 2.4 | | | | |

AC CHARACTERISTICS ($C_L = 50 \text{ pF}$, Input $t_r = t_f = 6.0 \text{ ns}$)

| Symbol | Parameter | Test Conditions | Fig. | Guaranteed Limit | | | | | | Unit |
|---------------|---|---|-------|------------------|-----|--------|-----|---------|-----|------|
| | | | | - 55 to 25°C | | ≤ 85°C | | ≤ 125°C | | |
| | | | | Min | Max | Min | Max | Min | Max | |
| tPLH, tPHL | Maximum Propagation Delay, Input A to Output Y (L to H) | $V_{CC} = 5.0 \text{ V} \pm 10\%$ $C_L = 50 \text{ pF}$, Input $t_r = t_f = 6.0 \text{ ns}$ | 1 & 2 | | 32 | | 40 | | 48 | ns |
| tTLH, tTHL | Maximum Output Transition Time. Any Output | $V_{CC} = 5.0 \text{ V} \pm 10\%$ $C_L = 50 \text{ pF}$, Input $t_r = t_f = 6.0 \text{ ns}$ | 1 & 2 | | 15 | | 19 | | 22 | ns |

NOTE: For propagation delays with loads other than 50 pF, and information on typical parametric values, see Chapter 2 of the Motorola High-Speed CMOS Data Book (DL129/D).

| CPD | Power Dissipation Capacitance (Per Inverter)* | Typical @ 25°C, VCC = 5.0 V | | pF |
|-----|---|-----------------------------|--|----|
| | | 32 | | |
| | | | | |

* Used to determine the no-load dynamic power consumption: $P_D = C_{PD} V_{CC}^2 f + I_{CC} V_{CC}$. For load considerations, see Chapter 2 of the Motorola High-Speed CMOS Data Book (DL129/D).

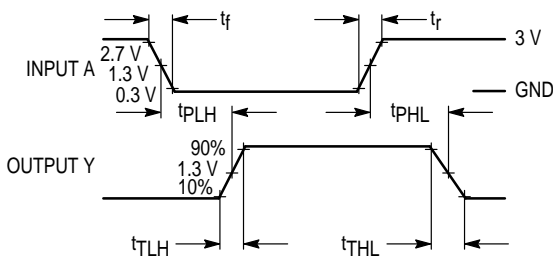
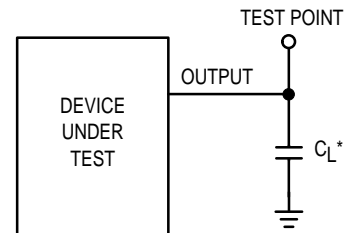


Figure 1. Switching Waveforms

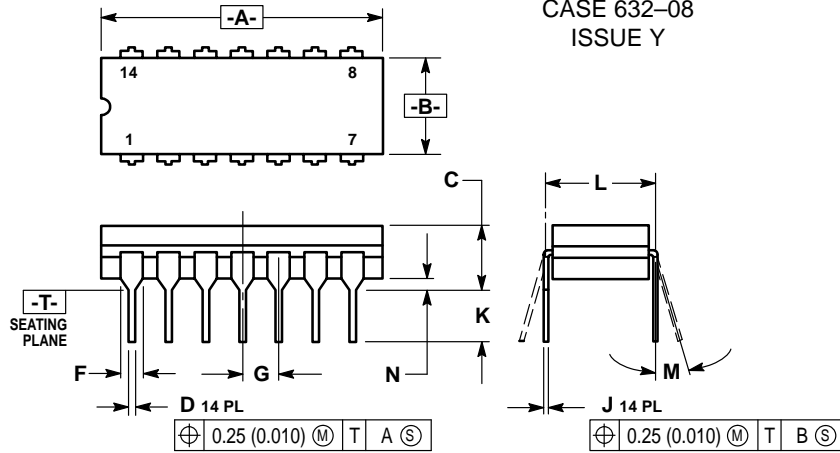


* Includes all probe and jig capacitance

Figure 2. Test Circuit

OUTLINE DIMENSIONS

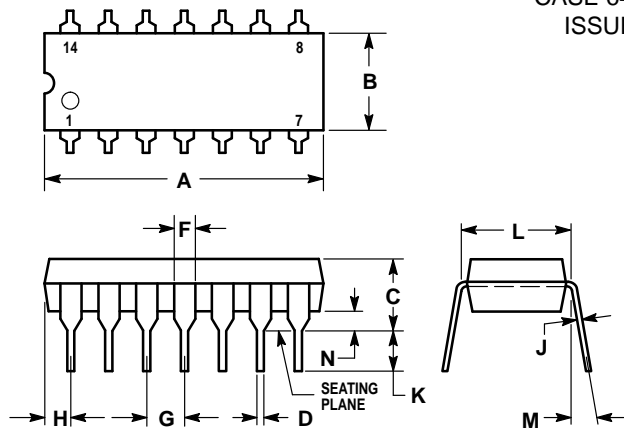
J SUFFIX
CERAMIC DIP PACKAGE
CASE 632-08
ISSUE Y



- NOTES:
1. DIMENSIONING AND TOLERANCING PER ANSI Y14.5M, 1982.
 2. CONTROLLING DIMENSION: INCH.
 3. DIMENSION L TO CENTER OF LEAD WHEN FORMED PARALLEL.
 4. DIMENSION F MAY NARROW TO 0.76 (0.030) WHERE THE LEAD ENTERS THE CERAMIC BODY.

| DIM | INCHES | | MILLIMETERS | |
|-----|-----------|-------|-------------|-------|
| | MIN | MAX | MIN | MAX |
| A | 0.750 | 0.785 | 19.05 | 19.94 |
| B | 0.245 | 0.280 | 6.23 | 7.11 |
| C | 0.155 | 0.200 | 3.94 | 5.08 |
| D | 0.015 | 0.020 | 0.39 | 0.50 |
| F | 0.055 | 0.065 | 1.40 | 1.65 |
| G | 0.100 BSC | | 2.54 BSC | |
| J | 0.008 | 0.015 | 0.21 | 0.38 |
| K | 0.125 | 0.170 | 3.18 | 4.31 |
| L | 0.300 BSC | | 7.62 BSC | |
| M | 0° | 15° | 0° | 15° |
| N | 0.020 | 0.040 | 0.51 | 1.01 |

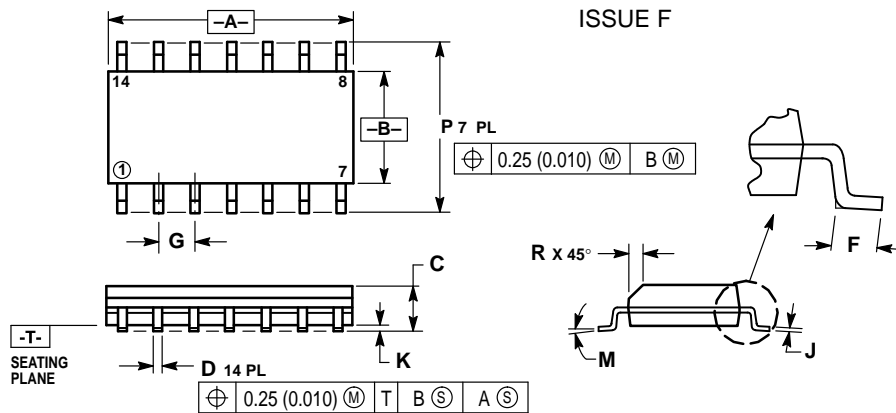
N SUFFIX
PLASTIC DIP PACKAGE
CASE 646-06
ISSUE L



- NOTES:
1. LEADS WITHIN 0.13 (0.005) RADIUS OF TRUE POSITION AT SEATING PLANE AT MAXIMUM MATERIAL CONDITION.
 2. DIMENSION L TO CENTER OF LEADS WHEN FORMED PARALLEL.
 3. DIMENSION B DOES NOT INCLUDE MOLD FLASH.
 4. ROUNDED CORNERS OPTIONAL.


| DIM | INCHES | | MILLIMETERS | |
|-----|-----------|-------|-------------|-------|
| | MIN | MAX | MIN | MAX |
| A | 0.715 | 0.770 | 18.16 | 19.56 |
| B | 0.240 | 0.260 | 6.10 | 6.60 |
| C | 0.145 | 0.185 | 3.69 | 4.69 |
| D | 0.015 | 0.021 | 0.38 | 0.53 |
| F | 0.040 | 0.070 | 1.02 | 1.78 |
| G | 0.100 BSC | | 2.54 BSC | |
| H | 0.052 | 0.095 | 1.32 | 2.41 |
| J | 0.008 | 0.015 | 0.20 | 0.38 |
| K | 0.115 | 0.135 | 2.92 | 3.43 |
| L | 0.300 BSC | | 7.62 BSC | |
| M | 0° | 10° | 0° | 10° |
| N | 0.015 | 0.039 | 0.39 | 1.01 |

D SUFFIX
PLASTIC SOIC PACKAGE
CASE 751A-03
ISSUE F



- NOTES:
1. DIMENSIONING AND TOLERANCING PER ANSI Y14.5M, 1982.
 2. CONTROLLING DIMENSION: MILLIMETER.
 3. DIMENSIONS A AND B DO NOT INCLUDE MOLD PROTRUSION.
 4. MAXIMUM MOLD PROTRUSION 0.15 (0.006) PER SIDE.
 5. DIMENSION D DOES NOT INCLUDE DAMBAR PROTRUSION. ALLOWABLE DAMBAR PROTRUSION SHALL BE 0.127 (0.005) TOTAL IN EXCESS OF THE D DIMENSION AT MAXIMUM MATERIAL CONDITION.

| DIM | MILLIMETERS | | INCHES | |
|-----|-------------|------|-----------|-------|
| | MIN | MAX | MIN | MAX |
| A | 8.55 | 8.75 | 0.337 | 0.344 |
| B | 3.80 | 4.00 | 0.150 | 0.157 |
| C | 1.35 | 1.75 | 0.054 | 0.068 |
| D | 0.35 | 0.49 | 0.014 | 0.019 |
| F | 0.40 | 1.25 | 0.016 | 0.049 |
| G | 1.27 BSC | | 0.050 BSC | |
| J | 0.19 | 0.25 | 0.008 | 0.009 |
| K | 0.10 | 0.25 | 0.004 | 0.009 |
| M | 0° | 7° | 0° | 7° |
| P | 5.80 | 6.20 | 0.228 | 0.244 |
| R | 0.25 | 0.50 | 0.010 | 0.019 |

Motorola reserves the right to make changes without further notice to any products herein. Motorola makes no warranty, representation or guarantee regarding the suitability of its products for any particular purpose, nor does Motorola assume any liability arising out of the application or use of any product or circuit, and specifically disclaims any and all liability, including without limitation consequential or incidental damages. "Typical" parameters can and do vary in different applications. All operating parameters, including "Typicals" must be validated for each customer application by customer's technical experts. Motorola does not convey any license under its patent rights nor the rights of others. Motorola products are not designed, intended, or authorized for use as components in systems intended for surgical implant into the body, or other applications intended to support or sustain life, or for any other application in which the failure of the Motorola product could create a situation where personal injury or death may occur. Should Buyer purchase or use Motorola products for any such unintended or unauthorized application, Buyer shall indemnify and hold Motorola and its officers, employees, subsidiaries, affiliates, and distributors harmless against all claims, costs, damages, and expenses, and reasonable attorney fees arising out of, directly or indirectly, any claim of personal injury or death associated with such unintended or unauthorized use, even if such claim alleges that Motorola was negligent regarding the design or manufacture of the part. Motorola and  are registered trademarks of Motorola, Inc. Motorola, Inc. is an Equal Opportunity/Affirmative Action Employer.

How to reach us:

USA/EUROPE: Motorola Literature Distribution;
P.O. Box 20912; Phoenix, Arizona 85036. 1-800-441-2447

JAPAN: Nippon Motorola Ltd.; Tatsumi-SPD-JLDC, Toshikatsu Otsuki,
6F Seibu-Butsuryu-Center, 3-14-2 Tatsumi Koto-Ku, Tokyo 135, Japan. 03-3521-8315

MFAX: RMFAX0@email.sps.mot.com -TOUCHTONE (602) 244-6609
INTERNET: <http://Design-NET.com>

HONG KONG: Motorola Semiconductors H.K. Ltd.; 8B Tai Ping Industrial Park,
51 Ting Kok Road, Tai Po, N.T., Hong Kong. 852-26629298



◇ CODELINE

MC54/74HCT14A/D



This datasheet has been download from:

www.datasheetcatalog.com

Datasheets for electronics components.